



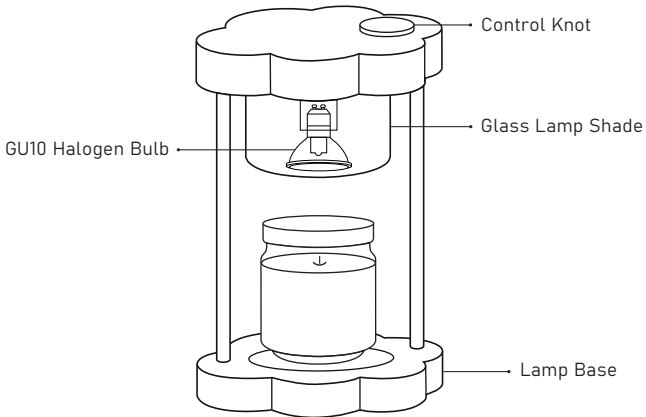
MAKYTWOW

INSTRUCTION MANUAL CANDLE WARMER LAMP

What's in the box :

Light source: 110V GU10 Halogen bulbs 35W x 2PCS

Candle warmer lamp x 1PC





IMPORTANT SAFETY INSTRUCTIONS

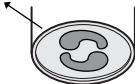
When using electric products, basic precautions should always be followed, including the following:

- DO NOT LIGHT CANDLE WHEN USING CANDLE WARMER LAMP.
- Do not operate when the appliance is not working properly or when it has been damaged in any manner.
- The glass lamp shade is hot when turned on. Do not touch it at anytime.
- Keep lamp away from flammable materials.
- Turn off, unplug and allow lamp to cool before replacing the GU10 bulb and before cleaning (use a soft cloth)
- Do not attempt to move candle warmer lamp with melted candle.
- To protect against risk of electrical shock do not put cord, plug or lamp in water or other liquid.
- Close supervision is necessary when any appliance is used by or near children.
- Do not use outdoors.
- Do not let cord hang over edge of table or counter.
- To disconnect, grip plug and pull from wall outlet.
- Never pull on cord to disconnect.
- Do not use appliance for other than intended use.
- Do not leave appliance unattended when in use.

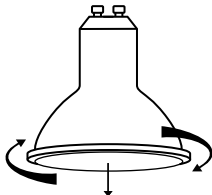
FOR ADULT USE ONLY. THIS IS NOT A TOY AND IS NOT INTENDED FOR USE BY CHILDREN. KEEP OUT OF REACH OF CHILDREN.

Instructions

*GU10 base



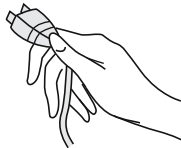
*Make sure the lamp is unplugged



GU10 bulb

1

Twist in the GU10 bulb.



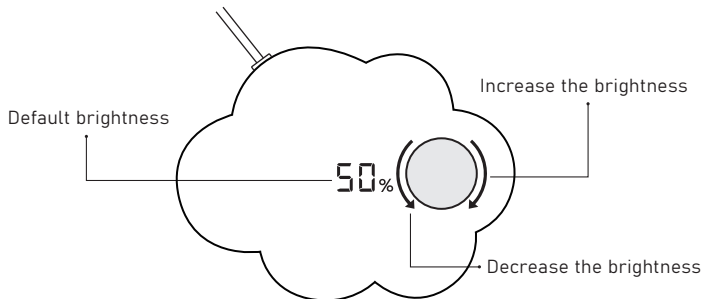
2

Plug in the socket.

Mode 1. Brightness adjustment(10%-100%)

Long press the center of the control knob, and the light is on.

Long press the center of the knob, the power is off.



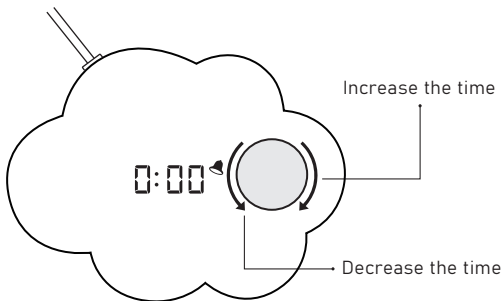
3

TIPS:

1. Short press on the center of the control knob: switch between two modes.
2. When unattended, the light will automatically turn off for 6 hours.

Mode 2. Set the timer (1 minute to 6 hours)

After selecting the brightness, press the center of the control knob again to jump to the timer mode.



3

The timer starts after 1 second. Reset the timer is always allowed when the timer is working.

Long press the center of the control knob, the countdown stops. 4 to 5 seconds later, it will go back to Mode 1.

Warranty :

1. One year warranty for quality related issues.
2. Artificial damage to the appearance is not covered by the warranty.
3. Bulbs are consumables and are not covered by the warranty.

Customer Service :

Email: support@makyatwow.com

Please feel free to contact us if any questions, we will reply within 12 hours.

Tips :

- The candle's surface slowly melts after 3-5 minutes when powered on.
- Recommend use: 2-4 hours each time.
- Trim the remaining candle wick once the wax has cooled and solidified.
- If candle wax spills on candle warmer use a plastic spatula or credit card to scrape the wax off. Use a paper towel to rub off any remaining wax.
Do not use metal or any other sharp objects to scrape off melted wax.
- When scent starts to diminish from your candle, melt 1 inch of candle from the top and pour melted wax into an empty metal or glass container and discard.

MAKE IT HAPPEN, MAKE IT WOW

Dear Valued Customer,

We are excited to announce that we are currently working on our next design for a candle warmer lamp. We want to make sure that our new design is something that you will love, so we are inviting you to participate in the process.

We would love to hear your feedback on the following:

- What features do you want to see in a new candle warmer lamp?
- What colors and styles do you prefer?
- What is your budget?

Your feedback will be invaluable to us as we develop our new design. To participate, please email us via support@makytwow.com

Thank you for your support!

Sincerely,

The MAKYTWOW TEAM

BY MAKYTWOW®